

MARADYNE[®]

MOBILE PRODUCTS

**HEATERS • BLOWERS • MOTORS
DASH MOUNT FANS • SERVICE PARTS**



www.maradynemobile.com

WHO WE ARE . . .



MARADYNE® Mobile Products is a brand name owned by DCM Manufacturing, a wholly-owned subsidiary of Dreison International, Inc. DCM Manufacturing manufactures and sells accessories and components serving the off-road equipment, agricultural machinery, heavy-duty truck, automotive, bus, RV, marine and military markets.

DCM manufacturing facilities are located in Cleveland, OH, Grand Prairie, TX, Shenzhen, China and Empalme, Mexico. DCM also has strategic manufacturing alliances in Turkey and China. Each international facility has on site engineering capabilities that are supported by our team of engineers in the United States as well as DCM employees in Asia and Mexico. All of our products are produced to meet USA design specifications, using quality components. DCM's Grand Prairie, TX and Empalme, Mexico facilities are ISO 9001: 2008 certified.



These companies are operated by the Berger family, which has taken an active role in their management for 30 years and has focused on providing quality products and premier service.

Dreison currently employs approximately three hundred fifty people, and annual revenues are approximately seventy million U.S. dollars. The philosophy to produce and distribute a quality product at a fair price, backed with service is a family tradition that ensures continual growth.



MARADYNE® Mobile Products

4540 W. 160th Street • Cleveland, OH 44135 • Ph: (216) 265-8006 • Fax: (216) 362-6342 • www.maradynemobile.com

TABLE OF CONTENTS



Who we are	2
Auxiliary Heaters	4 – 12
Universal Heaters for Various:	
<i>Cab Enclosures</i>	
<i>Buses</i>	
<i>Utility Vehicles</i>	
<i>Agricultural</i>	
<i>Construction</i>	
Accessories	13 – 17
Flex Hose “Y” Connectors	
Water Hose Connectors & Protector	
Switch Plates	
Heater Hose Kits	
Resistors	
Defrost & Louver Kits & Parts	
Heater Tubes w/Louver	
Air Return Grills	
Switch Kits	
Portable Air Pump	
Electric Fans	17
Dash Mount Fans	18 – 24
Dash Fan Options	
Medium Duty Fans	
Heavy Duty Fans	
New Heavy Duty Fans	
Centrifugal Blowers.	25 – 28
Part # Index	29
Service Parts	30 – 31

Copyright © 2014. DCM Manufacturing, Inc., Cleveland, OH. All rights reserved.

AUXILIARY HEATERS



SANTA FE FLOOR MOUNT HEATER

Model # 4000-12V
Model # 4000-24V

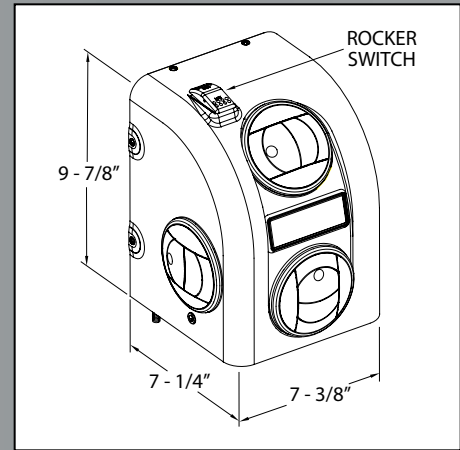


FEATURES

- Built-In Two-Speed Fan Control Switch
- Heavy-Duty, Long-Life Motor
- Compact Design
- Floor Mount
- Adjustable Airflow Louvers
- Mounting Hardware (included)

OPTIONS

- Heater Hose Kit P/N 64006 (not included) See Page 14
- Defrost Kit P/N MFA128 or Louver Kit P/N MFA130 (not included) See Page 15



9⁷/₈" H x 7³/₈" L x 7¹/₄" D

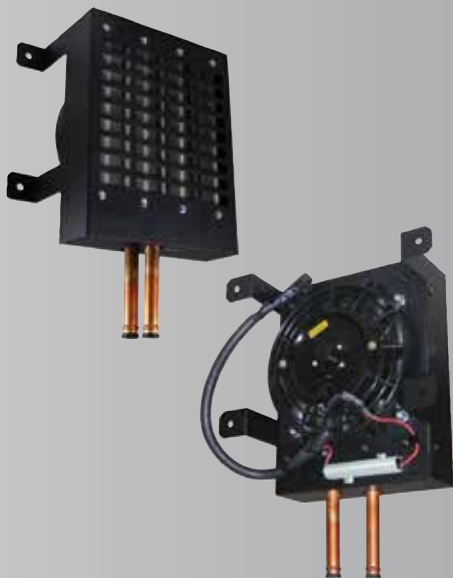
SPECIFICATIONS

PART #	HEATING BTU/HR	AIR FLOW HEATING	POWER REQUIREMENTS	CASE MATERIAL	CORE MATERIAL	FAN MATERIAL	FITTINGS
H-400012	13,200	200 CFM	6.0 Amps @ 12V	Glass-Filled Nylon	Tube & Fin	Aluminum	5/8"
H-400024	13,200	200 CFM	3.0 Amps @ 24V	Glass-Filled Nylon	Tube & Fin	Aluminum	5/8"

Please See Page 14 - 16 for Optional Kits & Louvers

YUMA DRIVER SIDE BUS HEATER

Model # 4101-12V
Model # 4101-24V



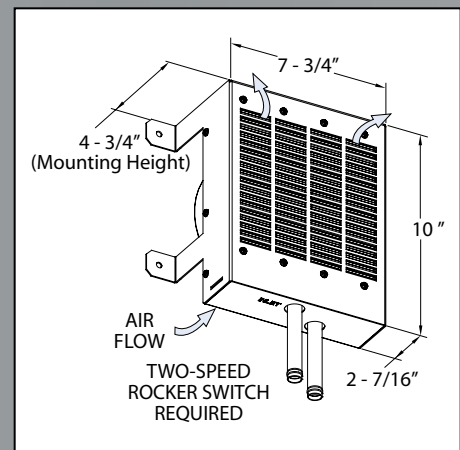
FEATURES

- Two-Speed Fan Control Switch
- Resistor Provides PM Motor with Two-Speeds

OPTIONS

- Heater Hose Kit P/N 64006 (not included) See Page 14

Special Order Only
Minimum Quantities Apply



10" H x 7³/₄" L x 4³/₄" D

SPECIFICATIONS

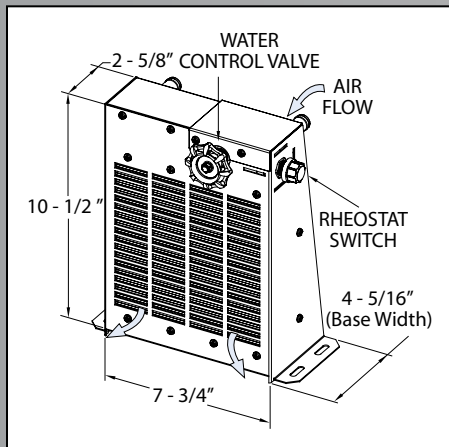
PART #	HEATING BTU/HR	AIR FLOW HEATING	POWER REQUIREMENTS	CASE MATERIAL	CORE MATERIAL	FAN MATERIAL	FITTINGS
H-410112	14,000	205 CFM	2.7 Amps @ 12V	22 Gauge Steel	Tube & Fin	Plastic	5/8"
H-410124	14,000	205 CFM	1.4 Amps @ 24V	22 Gauge Steel	Tube & Fin	Plastic	5/8"

Please See Page 14 - 16 for Optional Kits & Louvers

AUXILIARY HEATERS



MESA FLOOR MOUNT HEATER



10¹/₂" H x 7³/₄" L x 4⁵/₁₆" D

Model # 4102-12V
Model # 4102-24V

FEATURES

- Rheostat Fan Control
- Compact Design
- In-Line Shut-Off Valve for Temperature Control
- Fan Only Operation (full shut-off)

OPTIONS

- Heater Hose Kit P/N 64006 (not included) See Page 14

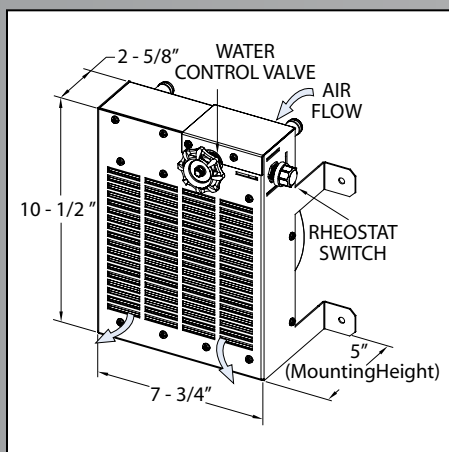


SPECIFICATIONS

PART #	HEATING BTU/HR	AIR FLOW HEATING	POWER REQUIREMENTS	CASE MATERIAL	CORE MATERIAL	FAN MATERIAL	FITTINGS
H-410212	14,000	210 CFM	2.7 Amps @ 12V	22 Gauge Steel	Tube & Fin	Plastic	5/8"
H-410224	14,000	210 CFM	1.4 Amps @ 24V	22 Gauge Steel	Tube & Fin	Plastic	5/8"

Please See Page 14 - 16 for Optional Kits & Louvers

MESA WALL MOUNT HEATER



10¹/₂" H x 7³/₄" L x 5" D

Model # 4103-12V
Model # 4103-24V

FEATURES

- Rheostat Fan Control
- Compact Design
- In-Line Shut-Off Valve for Temperature Control
- Fan Only Operation (full shut-off)

OPTIONS

- Heater Hose Kit P/N 64006 (not included) See Page 14



SPECIFICATIONS

PART #	HEATING BTU/HR	AIR FLOW HEATING	POWER REQUIREMENTS	CASE MATERIAL	CORE MATERIAL	FAN MATERIAL	FITTINGS
H-410312	14,000	210 CFM	2.7 Amps @ 12V	22 Gauge Steel	Tube & Fin	Plastic	5/8"
H-410324	14,000	210 CFM	1.4 Amps @ 24V	22 Gauge Steel	Tube & Fin	Plastic	5/8"

Please See Page 14 - 16 for Optional Kits & Louvers

AUXILIARY HEATERS



TUCSON WALL/FLOOR MOUNT HEATER

Model # 5030-12V
Model # 5030-24V



FEATURES

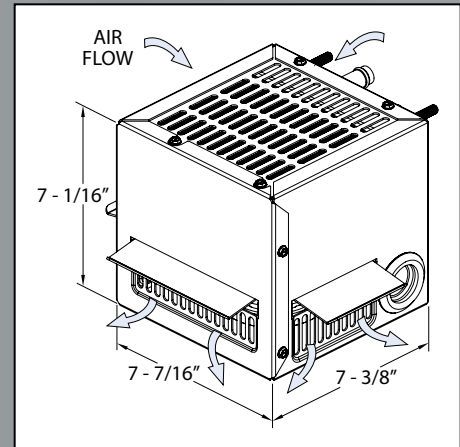
- Three-Speed Motor w/Fan Control Switch
- Heavy-Duty, Long-Life Motor
- Mounting Studs and Water Hose Connections at Rear
- Compact Design
- Directional Airflow Doors
- Mounting Hardware (included)

OPTIONS

- Heater Hose Kit P/N 64006 (not included) See Page 14
- Defrost Kit P/N MFA126 or Louver Kit P/N MFA127 (not included) See Page 15



SWITCH
Three Speed Motor



7¹/₁₆" H x 7⁷/₁₆" L x 7³/₈" D

* Replaces Model # 5000-12V & Model # 5000-24V.

SPECIFICATIONS

PART #	HEATING BTU/HR	AIR FLOW HEATING	POWER REQUIREMENTS	CASE MATERIAL	CORE MATERIAL	FAN MATERIAL	FITTINGS
H-503012	12,500	200 CFM	2.9 Amps @ 12V	22 Gauge Steel	Tube & Fin	Aluminum	5/8"
H-503024	12,500	200 CFM	1.5 Amps @ 24V	22 Gauge Steel	Tube & Fin	Aluminum	5/8"

Please See Page 14 - 16 for Optional Kits & Louvers

TUCSON II WALL/FLOOR MOUNT HEATER

Model # 5110-12RV
Model # 5110-24RV

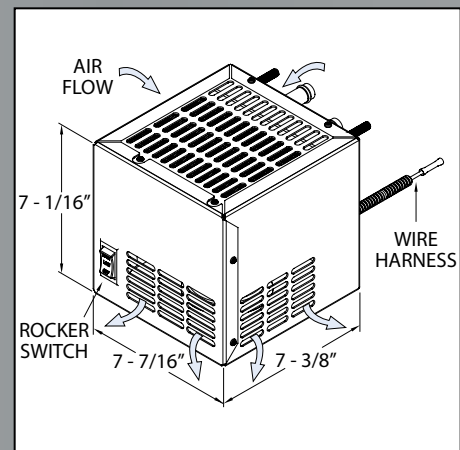


FEATURES

- Two-Speed Motor w/Built-In Fan Control Switch
- Heavy-Duty, Long-Life Motor
- Mounting Studs and Water Hose Connections at Rear
- Compact Design
- Mounting Hardware (included)

OPTIONS

- Heater Hose Kit P/N 64006 (not included) See Page 14



7¹/₁₆" H x 7⁷/₁₆" L x 7³/₈" D

SPECIFICATIONS

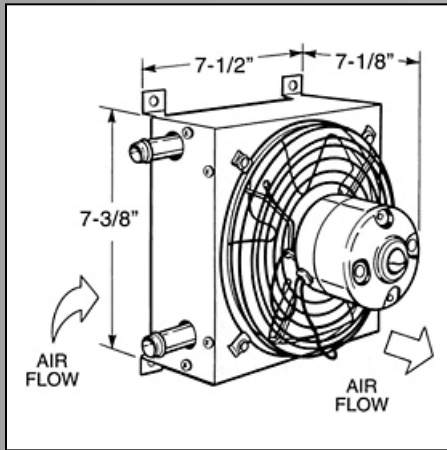
PART #	HEATING BTU/HR	AIR FLOW HEATING	POWER REQUIREMENTS	CASE MATERIAL	CORE MATERIAL	FAN MATERIAL	FITTINGS
H-511012R	12,500	150 CFM	2.9 Amps @ 12V	22 Gauge Steel	Tube & Fin	Aluminum	5/8"
H-511024R	12,500	150 CFM	1.5 Amps @ 24V	22 Gauge Steel	Tube & Fin	Aluminum	5/8"

Please See Page 14 - 16 for Optional Kits & Louvers

AUXILIARY HEATERS



DAYTONA WALL MOUNT HEATER



7³/₈" H x 7¹/₂" L x 7¹/₈" D

Model # 6030-12V*
Model # 6030-24V*

FEATURES

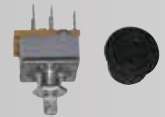
- Three-Speed Motor w/Fan Control Switch
- Rigid Steel Case with Gray Finish
- Heavy-Duty, Long-Life Motor
- Mounting Hardware (included)

OPTIONS

- Heater Hose Kit P/N 64006 (not included) See Page 14



SWITCH
Three Speed Motor



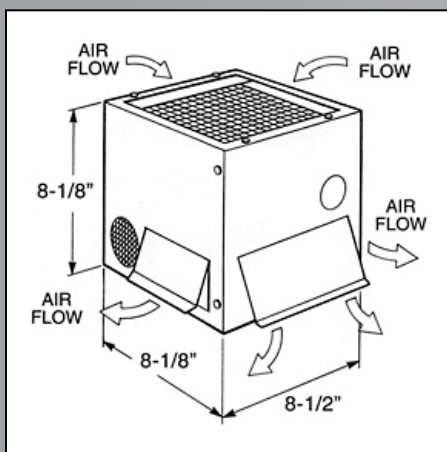
* Replaces Model # 6000-12V & Model # 6000-24V.

SPECIFICATIONS

PART #	HEATING BTU/HR	AIR FLOW HEATING	POWER REQUIREMENTS	CASE MATERIAL	CORE MATERIAL	FAN MATERIAL	FITTINGS
H-603012	15,000	140 CFM	1.5 Amps @ 12V	22 Gauge Steel	Tube & Fin	Aluminum	5/8"
H-603024	15,000	140 CFM	.75 Amps @ 24V	22 Gauge Steel	Tube & Fin	Aluminum	5/8"

Please See Page 14 - 16 for Optional Kits & Louvers

PHOENIX WALL/FLOOR MOUNT HEATER



8¹/₈" H x 8¹/₈" L x 8¹/₂" D

Model # 8030-12V*
Model # 8030-24V*

FEATURES

- Three-Speed Motor w/Fan Control Switch
- Heavy-Duty, Long-Life Motor
- Mounting Studs and Water Hose Connections at Rear
- Compact Design
- Directional Airflow Doors
- Mounting Hardware (included)

OPTIONS

- Heater Hose Kit P/N 64006 (not included) See Page 14
- Defrost Kit P/N MFA126 or Louver Kit P/N MFA127 (not Included) See Page 15



SWITCH
Three Speed Motor



* Replaces Model # 8000-12V & Model # 8000-24V.

SPECIFICATIONS

PART #	HEATING BTU/HR	AIR FLOW HEATING	POWER REQUIREMENTS	CASE MATERIAL	CORE MATERIAL	FAN MATERIAL	FITTINGS
H-803012	25,000	250 CFM	5.0 Amps @ 12V	20 Gauge Steel	Tube & Fin	Aluminum	5/8"
H-803024	25,000	250 CFM	2.5 Amps @ 24V	20 Gauge Steel	Tube & Fin	Aluminum	5/8"

Please See Page 14 - 16 for Optional Kits & Louvers

MARADYNE® Mobile Products

4540 W. 160th Street • Cleveland, OH 44135 • Ph: (216) 265-8006 • Fax: (216) 362-6342 • www.maradynemobile.com

AUXILIARY HEATERS



BAJA HEATER

Model # 455H-12V
Model # 455H-24V

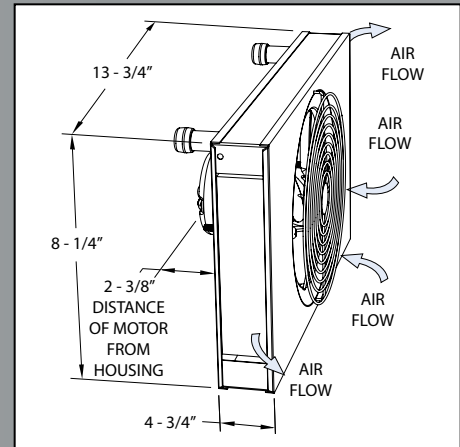


FEATURES

- Air Enters the Center; Warm Air Exits Through Each Side
- Rear Mounting Studs and Water Hose Connections
- Three-Speed Motor
- Mounting Hardware (included)

OPTIONS

- Heater Hose Kit P/N 64006 (not included) See Page 14
- Switch Kit P/N 5670014 (not included) See Page 16



8 1/4" H x 13 3/4" L x 4 3/4" D

SPECIFICATIONS

PART #	HEATING BTU/HR	AIR FLOW HEATING	POWER REQUIREMENTS	CASE MATERIAL	CORE MATERIAL	FAN MATERIAL	FITTINGS
H-6670004	13,000	130 CFM	2.4 Amps @ 12V	22 Gauge Steel	Ribbon Cell	Aluminum	5/8"
H-6670005	13,000	130 CFM	1.2 Amps @ 24V	22 Gauge Steel	Ribbon Cell	Aluminum	5/8"

Please See Page 14 - 16 for Optional Kits & Louvers

MONTERREY HEATER

Model # 512H-12V
Model # 512H-24V

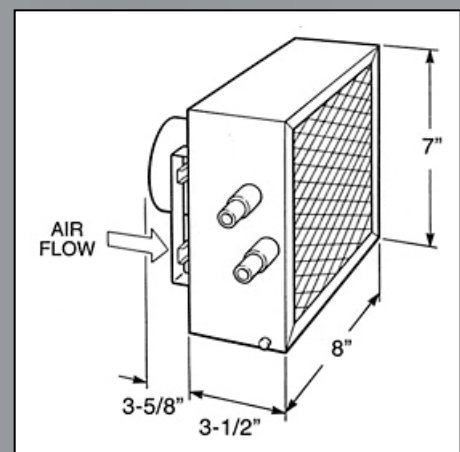


FEATURES

- Air Enters from Rear; Warm Air Exits Through Front
- Top and Bottom Weld Nuts with Side Hose Connections
- Stainless Steel Case
- Three-Speed Motor
- Mounting Hardware (included)

OPTIONS

- Heater Hose Kit P/N 64006 (not included) See Page 14
- Switch Kit P/N 5670014 (not included) See Page 16



7" H x 8" L x 7 1/8" D

SPECIFICATIONS

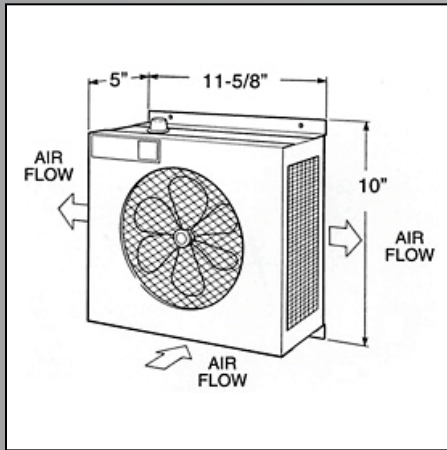
PART #	HEATING BTU/HR	AIR FLOW HEATING	POWER REQUIREMENTS	CASE MATERIAL	CORE MATERIAL	FAN MATERIAL	FITTINGS
H-6670006	15,000	150 CFM	2.9 Amps @ 12V	22 Gauge Stainless Steel	Ribbon Cell	Aluminum	5/8"
H-6670007	15,000	150 CFM	1.5 Amps @ 24V	22 Gauge Stainless Steel	Ribbon Cell	Aluminum	5/8"

Please See Page 14 - 16 for Optional Kits & Louvers

AUXILIARY HEATERS



PUEBLO WALL MOUNT HEATER



10" H x 11⁵/₈" L x 5" D

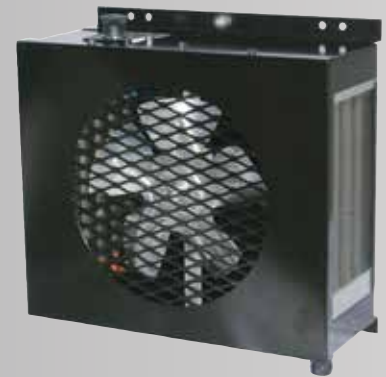
Model # 6500-12V
Model # 6500-24V

FEATURES

- Air Enters from Grill; Warm Air Exits Through Each Side
- Top and Bottom Rear Mounting Flanges with Side Hose Connections
- Three-Speed Motor w/Rotary Fan Switch
- Mounting Hardware (included)

OPTIONS

- Heater Hose Kit P/N 64006 (not included) See Page 14

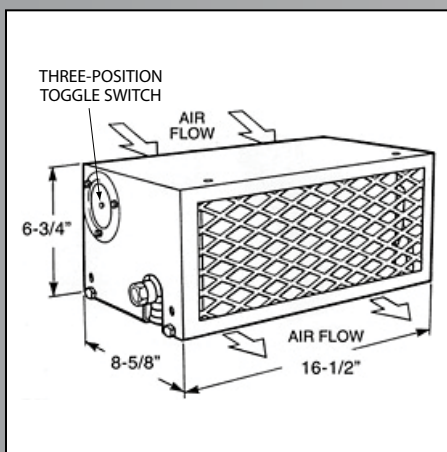


SPECIFICATIONS

PART #	HEATING BTU/HR	AIR FLOW HEATING	POWER REQUIREMENTS	CASE MATERIAL	CORE MATERIAL	FAN MATERIAL	FITTINGS
H-650012	20,000	170 CFM	5 Amps @ 12V	20 Gauge Steel	Tube & Fin	Aluminum	5/8"
H-650024	20,000	170 CFM	2.5 Amps @ 24V	20 Gauge Steel	Tube & Fin	Aluminum	5/8"

Please See Page 14 - 16 for Optional Kits & Louvers

ODESSA FLOOR MOUNT HEATER



6³/₄" H x 16¹/₂" L x 8⁵/₈" D

Model # 9000-12V
Model # 9000-24V
Model # 9000-36V

FEATURES

- Built-In Three-Position Toggle Switch
- Choice of Side or Bottom Hose Hook-up
- Twin Fan Blades
- Heavy-Duty, Long-Life Motor
- Mounting Hardware (included)

OPTIONS

- Heater Hose Kit P/N 64006 (not included) See Page 14



SPECIFICATIONS

PART #	HEATING BTU/HR	AIR FLOW HEATING	POWER REQUIREMENTS	CASE MATERIAL	CORE MATERIAL	FAN MATERIAL	FITTINGS
H-900012	33,000	205 CFM	8.5 Amps @ 12V	14 Gauge Steel	Tube & Fin	Aluminum	1/2" PT
H-900024	33,000	205 CFM	4.25 Amps @ 24V	14 Gauge Steel	Tube & Fin	Aluminum	1/2" PT
H-900036	33,000	205 CFM	2.75 Amps @ 36V	14 Gauge Steel	Tube & Fin	Aluminum	1/2" PT

Please See Page 14 - 16 for Optional Kits & Louvers

MARADYNE® Mobile Products

4540 W. 160th Street • Cleveland, OH 44135 • Ph: (216) 265-8006 • Fax: (216) 362-6342 • www.maradynemobile.com

AUXILIARY HEATERS



UNIVERSAL WALL MOUNT HEATER

9" Stoker™ Heater Grill Face

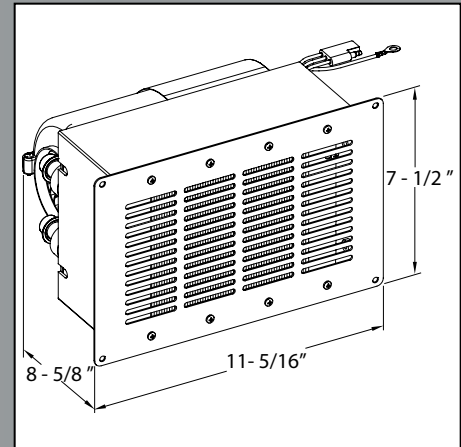


FEATURES

- Three-Speed Motor*
- Heavy Duty Injection Molded Glass-Filled Nylon Case

OPTIONS

- Heater Hose Kit P/N 64006 (not included) See Page 14



7 1/2" H x 11 5/16" L x 8 5/8" D

* Sealed Motor Tested to SAE J1171, Ignition Proof ISO 8846 and ISO 9097 (for Marine use).

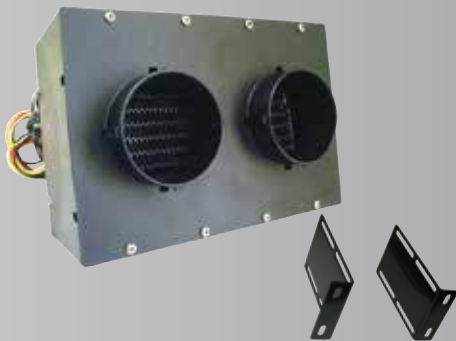
SPECIFICATIONS

PART #	HEATING BTU/HR	AIR FLOW HEATING	POWER REQUIREMENTS	CASE & BLOWER MATERIAL	CORE MATERIAL	FITTINGS
MM-A1090004	26,000	200 CFM	9.6 Amps @ 12V	Glass-Filled Nylon	Tube & Fin	5/8"
MM-A1090005*	26,000	200 CFM	9.6 Amps @ 12V	Glass-Filled Nylon	Tube & Fin	5/8"
MM-B1090004	26,000	200 CFM	4.8 Amps @ 24V	Glass-Filled Nylon	Tube & Fin	5/8"
MM-B1090005*	26,000	200 CFM	4.8 Amps @ 24V	Glass-Filled Nylon	Tube & Fin	5/8"

Please See Page 14 - 16 for Optional Kits & Louvers

UNIVERSAL FLOOR/UNDER DASH MOUNT HEATER

9" Stoker™ Heater 2 - 3" Outlets



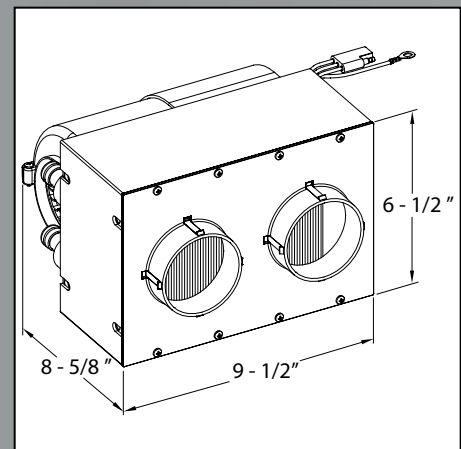
MOUNTING BRACKETS
(included)

FEATURES

- Three-Speed Motor*
- Heavy Duty Injection Molded Glass-Filled Nylon Case

OPTIONS

- Heater Hose Kit P/N 64006 (not included) See Page 14
- Defrost Kit P/N MFA128 or Louver Kit P/N MFA130 (not included) See Page 15
- Heater Tubes P/N TA8000505, P/N TA8000506 or P/N TA8001492 (not included) See Page 16



6 1/2" H x 9 1/2" L x 8 5/8" D

* Sealed Motor Tested to SAE J1171, Ignition Proof ISO 8846 and ISO 9097 (for Marine use).

SPECIFICATIONS

PART #	HEATING BTU/HR	AIR FLOW HEATING	POWER REQUIREMENTS	CASE & BLOWER MATERIAL	CORE MATERIAL	FITTINGS
MM-A1090001*	26,000	200 CFM	9.6 Amps @ 12V	Glass-Filled Nylon	Tube & Fin	5/8"
MM-A1090002	26,000	200 CFM	9.6 Amps @ 12V	Glass-Filled Nylon	Tube & Fin	5/8"
MM-B1090001*	26,000	200 CFM	4.8 Amps @ 24V	Glass-Filled Nylon	Tube & Fin	5/8"
MM-B1090002	26,000	200 CFM	4.8 Amps @ 24V	Glass-Filled Nylon	Tube & Fin	5/8"

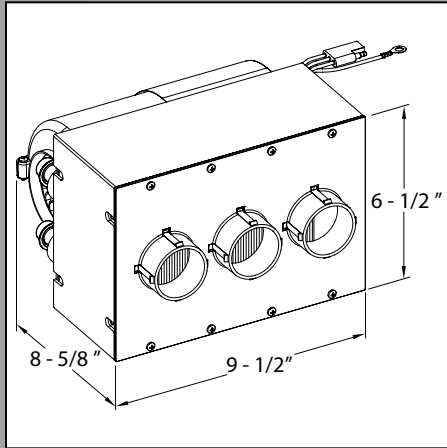
Please See Page 14 - 16 for Optional Kits & Louvers

AUXILIARY HEATERS



UNIVERSAL FLOOR/UNDER DASH MOUNT HEATER

9" Stoker™ Heater 3 – 2" Outlets



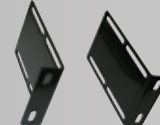
6 1/2" H x 9 1/2" L x 8 5/8" D

FEATURES

- Three-Speed Motor*
- Heavy Duty Injection Molded Glass-Filled Nylon Case

OPTIONS

- Heater Hose Kit P/N 64006 (not included) See Page 14
- Defrost Kit P/N MFA126 or Louver Kit P/N MFA127 (not Included) See Page 15



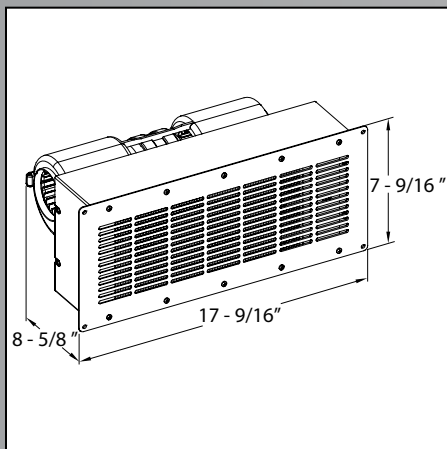
MOUNTING BRACKETS
(included)

SPECIFICATIONS

PART #	HEATING BTU/HR	AIR FLOW HEATING	POWER REQUIREMENTS	CASE & BLOWER MATERIAL	CORE MATERIAL	FITTINGS
MM-A1090006	25,000	150 CFM	9.6 Amps @ 12V	Glass-Filled Nylon	Tube & Fin	5/8"

Please See Page 14 - 16 for Optional Kits & Louvers

UNIVERSAL WALL MOUNT HEATER



7 9/16" H x 17 9/16" L x 8 5/8" D

FEATURES

- Three-Speed Motor*
- Heavy Duty Injection Molded Glass-Filled Nylon Case

OPTIONS

- Heater Hose Kit P/N 64006 (not included) See Page 14



* Sealed Motor Tested to SAE J1171, Ignition Proof ISO 8846 and ISO 9097 (for Marine use).

SPECIFICATIONS

PART #	HEATING BTU/HR	AIR FLOW HEATING	POWER REQUIREMENTS	CASE & BLOWER MATERIAL	CORE MATERIAL	FITTINGS
MM-A1160004	40,000	300 CFM	11.6 Amps @ 12V	Glass-Filled Nylon	Tube & Fin	5/8"
MM-A1160003*	40,000	300 CFM	11.6 Amps @ 12V	Glass-Filled Nylon	Tube & Fin	5/8"
MM-B1160004	40,000	300 CFM	5.8 Amps @ 24V	Glass-Filled Nylon	Tube & Fin	5/8"
MM-B1160003*	40,000	300 CFM	5.8 Amps @ 24V	Glass-Filled Nylon	Tube & Fin	5/8"

Please See Page 14 - 16 for Optional Kits & Louvers

MARADYNE® Mobile Products

4540 W. 160th Street • Cleveland, OH 44135 • Ph: (216) 265-8006 • Fax: (216) 362-6342 • www.maradynemobile.com

AUXILIARY HEATERS



UNIVERSAL FLOOR/UNDER DASH MOUNT HEATER

16" Super Stoker™ Heater 3 – 3" Outlets



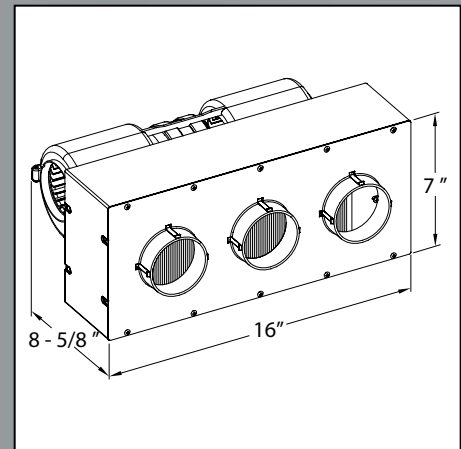
MOUNTING BRACKETS
(included)

FEATURES

- Three-Speed Motor*
- Heavy Duty Injection Molded Glass-Filled Nylon Case

OPTIONS

- Heater Hose Kit P/N 64006 (not included) See Page 14
- Defrost Kit P/N MFA128 or Louver Kit P/N MFA130 (not Included) See Page 15
- Heater Tubes P/N TA8000505, P/N TA8000506 or P/N TA8001492 (not Included) See Page 16



7" H x 16" L x 8⁵/₈" D

* Sealed Motor Tested to SAE J1171, Ignition Proof ISO 8846 and ISO 9097 (for Marine use).

SPECIFICATIONS

PART #	HEATING BTU/HR	AIR FLOW HEATING	POWER REQUIREMENTS	CASE & BLOWER MATERIAL	CORE MATERIAL	FITTINGS
MM-A1160005	40,000	300 CFM	11.6 Amps @ 12V	Glass-Filled Nylon	Tube & Fin	5/8"
MM-A1160001*	40,000	300 CFM	11.6 Amps @ 12V	Glass-Filled Nylon	Tube & Fin	5/8"
MM-B1160005	40,000	300 CFM	5.8 Amps @ 24V	Glass-Filled Nylon	Tube & Fin	5/8"
MM-B1160001*	40,000	300 CFM	5.8 Amps @ 24V	Glass-Filled Nylon	Tube & Fin	5/8"

Please See Page 14 - 16 for Optional Kits & Louvers

UNIVERSAL FLOOR/UNDER DASH MOUNT HEATER

16" Super Stoker™ Heater 4 – 3" Outlets



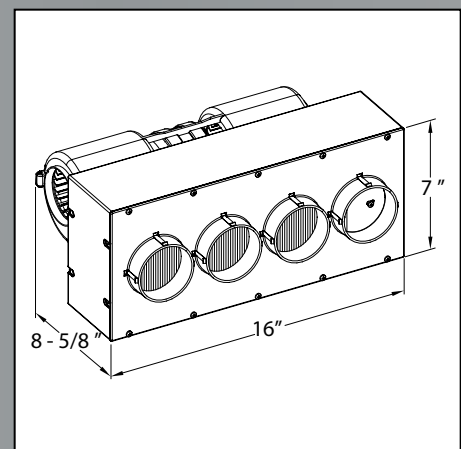
MOUNTING BRACKETS
(included)

FEATURES

- Three-Speed Motor*
- Heavy Duty Injection Molded Glass-Filled Nylon Case

OPTIONS

- Heater Hose Kit P/N 64006 (not included) See Page 14
- Defrost Kit P/N MFA128 or Louver Kit P/N MFA130 (not Included) See Page 15
- Heater Tubes P/N TA8000505, P/N TA8000506 or P/N TA8001492 (not Included) See Page 16



7" H x 16" L x 8⁵/₈" D

* Sealed Motor Tested to SAE J1171, Ignition Proof ISO 8846 and ISO 9097 (for Marine use).

SPECIFICATIONS

PART #	HEATING BTU/HR	AIR FLOW HEATING	POWER REQUIREMENTS	CASE & BLOWER MATERIAL	CORE MATERIAL	FITTINGS
MM-A1160006	40,000	300 CFM	11.6 Amps @ 12V	Glass-Filled Nylon	Tube & Fin	5/8"
MM-A1160002*	40,000	300 CFM	11.6 Amps @ 12V	Glass-Filled Nylon	Tube & Fin	5/8"
MM-B1160006	40,000	300 CFM	5.8 Amps @ 24V	Glass-Filled Nylon	Tube & Fin	5/8"
MM-B1160002*	40,000	300 CFM	5.8 Amps @ 24V	Glass-Filled Nylon	Tube & Fin	5/8"

Please See Page 14 - 16 for Optional Kits & Louvers

ACCESSORIES



FLEX HOSE "Y" CONNECTORS & WATER HOSE PROTECTOR



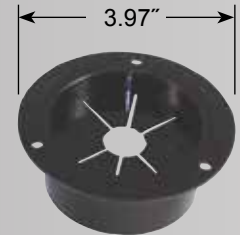
1892

2.5" "Y" Connector



TA8000448

3" "Y" Connector



1661

Water Hose Protector

WATER HOSE FITTINGS



1663

$5/8$ " & $3/4$ " Water Hose
"Y" Connector (5" Long)



1906

$5/8$ " & $3/4$ " Short Water Hose
"Y" Connector (4" Long)



2059

$5/8$ " & $3/4$ " Water Hose
Splice (3.5" Long)

SWITCH PLATES



1845-HS

2.2" x 2.7"



307-HS

2.5" x 2.3"



1340-1

4" x 1.5"



1660-1

2" x .4"



1705-1

1.5" Diameter



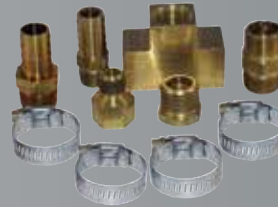
1706-HS

1.5" Diameter

HEATER HOSE KITS



TA8000492



TA8000466

TA8000689

Engine Plumbing Kit includes:
 TA8000492 (25' - 5/8" Heater Hose) &
 TA8000466 (1/2" FPT Tee, 3/8" MPT x 5/8" Hose Barb, 1/2" MPT x 3/8" FPT Bushing,
 1/2" x 1/2" MPT Union, 1/2" MPT x 5/8" Hose Barb and 4 Hose Clamps).
 Part #'s TA8000492 & TA8000466 also sold separately.



H-64006

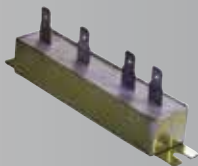
Heater Plumbing Kit includes:
 12.5' - 5/8" Heater Hose, Water Shutoff Valve, 1/2" x 3/8" Bushing,
 5/8" Hose Connector and 4 Hose Clamps.
 Used to install all heater models listed in this catalog
 (except Model 9000).



MFA129

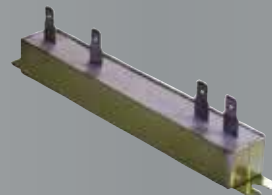
Engine Plumbing Kit includes:
 10' - 5/8" Heater Hose, 2 - 1/2" MPT x 5/8" Hose Barb
 4 - 1 1/8" Mounting Clamp and 4 Hose Clamps.
 (used for Stoker heaters).

RESISTORS



TA7000039

3.75" - 4 Terminal Resistor
 Speed control of Permanent Magnet Motors.
 Must be mounted on metal surface in well vented area.



TA7000040

5.5" - 4 Terminal Resistor
 Speed control of Permanent Magnet Motors.
 Must be mounted on metal surface in well vented area.

DEFROST & LOUVER KITS & PARTS



MFA126

Defrost Kit w/2" Flex Duct
For Tucson & Phoenix Series Heaters



MFA127

Louver Kit w/2" Flex Duct
For Tucson & Phoenix Series Heaters



MFA128

Defrost Kit w/3" Flex Duct
For Stoker Series Heaters



MFA130

Louver Kit w/3" Flex Duct
For Stoker Series Heaters



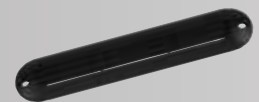
2454-1

7.25" x 1" Defrost Chute
w/2" Hose End



2454

7.25" x 1" Defrost Chute
w/2.5" Hose End



2453

7" x 1.5" Defrost Chute Grill



2063

21.6" x 2" Defrost Chute Deflector



2505

4" Dome Louver w/2.5" Screw in Hose Adapter

STOKER SERIES HEATER TUBES w/LOUVER



TA8000505

Ø3" x 10.45"
Heater Tube w/Grill Face
Hose Extends an Additional 62"



TA8000506

Ø3" x 10.45"
Heater Tube w/Adjustable Louver
Hose Extends an Additional 62"



TA8001492

Ø3" x 10.45"
Heater Tube w/Triple Vane Louver
Hose Extends an Additional 62"

AIR RETURN GRILLS



2226

5.5" x 12" Air Return Grill



2223

2.75" x 12" Air Return Grill



2241

5" x 6" Air Return Grill

SWITCH KITS (for Three-Speed Motors)



H-5670014

Switch Kit



H-5670004

Switch Kit With 3' Wire Harness



TA7000078

Switch Kit

PORTABLE AIR PUMP

junior
jet
150

junior jet 150



MJJ150

- Designed for vehicle tires used on trucks, SUV's, vans, cars, bikes and inflatables
- Built-in flashlight to assist at night and added safety
- Heavy duty, gearless, direct drive motor
- Cigarette lighter adaptor w/9' power cord
- 27" high pressure air hose with quick release thumb twist valve connector
- Built-in air pressure gauge (0 – 150psi)
- Oil-less design, maintenance free
- Working pressure: 150psi/10bar
- Average fill rate on 16" tire 7lbs/min.
- 5.5 Amps

INCLUDES

- 2 – Plastic Inflatable Nozzles
- 1 – Ball Needle
- 1 – Carry Case

UNIVERSAL 12V ELECTRIC COOLING FANS (PACESETTER SERIES)

FEATURES

- Non-vented Heavy Duty Motor
- Quiet Reversible S-Blade Design – Works as Pusher or Puller
- Molded in Mounting Feet – (4) Additional Mounting Feet
- All Fans Include Installation Kit
- Individually Packed

RELAY HARNESS OPTIONS (Not Included)

- Adjustable Thermostat MFA100
- 185° Temperature Switch MFA102
- 195° Temperature Switch MFA103



MP162K or MP166K

16" Reversible Fan



MP136K

13" Reversible Fan



MP119K

11" Reversible Fan



MP109K

10" Reversible Fan

SPECIFICATIONS

PART #	STYLE	SIZE	MOTOR	CFM at 0"	DEPTH	AMP DRAW
MP162K	Reversible S-Blade	16"	225 Watt Heavy Duty	1,746 CFM	4.42"	13.2
MP166K	Reversible S-Blade	16"	160 Watt Heavy Duty	1,661 CFM	4.08"	15.6
MP136K	Reversible S-Blade	13"	160 Watt Heavy Duty	1,356 CFM	3.61"	9.4
MP119K	Reversible S-Blade	11"	90 Watt Heavy Duty	727 CFM	2.49"	7.7
MP109K	Reversible S-Blade	10"	90 Watt Heavy Duty	666 CFM	2.48"	4.5

DASH MOUNT FANS



1000 Series – Medium Duty Ventilation/Defrost Fans



Part # F-100012

FEATURES

- Drawn Steel Base
- Round Three-Hole Mount
- Adjustable Position Swivel
- Two-Speed
- Medium Duty Motor
- Mounting Hardware & Gasket (included)

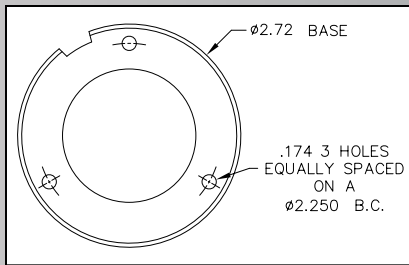
OPTIONS

- Volts:** 12V
- Base:** Chrome
- Guard:** Chrome
- Blade:** Aluminum
- Switch:** Three-Position Toggle
- Box Qty.:** 12

CFM High: 210
CFM Low: 140

Amps High: 1.1
Amps Low: 0.5

No Service Parts Available for this Series



OPTIONS			
12V PART #	BLADE	GUARD	SWITCH
F-100012	Aluminum	Chrome	Toggle



24V, 36V & 48V Options

2000 Series – Heavy Duty Ventilation/Defrost Fans

See NEW 9000 Series



Part # F-200112

FEATURES

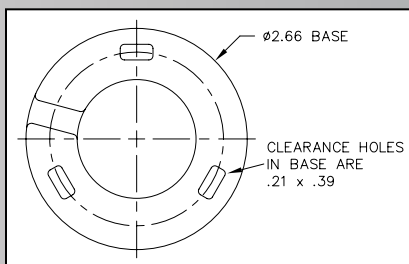
- Heavy Duty Die Cast Base
- Round Three-Hole Mount
- Adjustable Position Swivel
- Two-Speed Wound Field Motor
- Mounting Hardware & Gasket (included)

OPTIONS

- Volts:** 12V or 24V
- Base:** Black or Chrome
- Guard:** Black, Chrome, Plastic or UltraGard®
- Blade:** Aluminum or Black
- Switch:** Three-Position Toggle or None
- Box Qty.:** 6

CFM High: 270
CFM Low: 220

Amps High: 2.7
Amps Low: 1.6



OPTIONS				
12V PART #	24V PART #	BLADE	GUARD	SWITCH
F-200112	F-200124	Aluminum	Chrome	Toggle
F-200112MS	F-200124MS	Aluminum	Chrome	None
F-200412	F-200424	Black	Black	Toggle
F-200412UG	F-200424UG	Black	UltraGard®	Toggle
F-200512	F-200524	Aluminum	Plastic	Toggle

Other options available. Please see page 17 and contact MARADYNE®.

MARADYNE® Mobile Products

4540 W. 160th Street • Cleveland, OH 44135 • Ph: (216) 265-8006 • Fax: (216) 362-6342 • www.maradyne-mobile.com

DASH MOUNT FANS



3000 Series – Heavy Duty Ventilation/Defrost Fans

See NEW 8000 Series

FEATURES

- Heavy Duty Die Cast Base
- Square Four-Hole Mount
- Adjustable Position Swivel
- One or Two-Speed Wound Field Motor
- Mounting Hardware & Gasket (included)

CFM High: 270
CFM Low: 220

OPTIONS

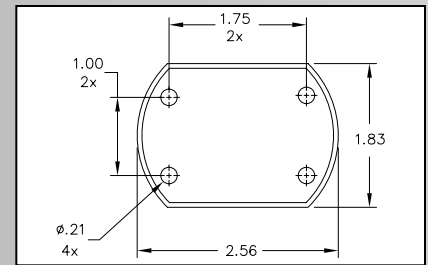
- Volts:** 12V, 24V, 36V or 48V
Base: Black
Guard: Black, Chrome, Plastic or UltraGard®
Blade: Aluminum or Black
Switch: Rheostat, Toggle or None
Box Qty: 6

Amps High: 2.7
Amps Low: 1.6



Part # F-300012UG

ONE-SPEED FAN OPTIONS					
12V PART #	24V PART #	36V PART #	BLADE	GUARD	SWITCH
F-300012	F-300024	F-300036	Aluminum	Chrome	Rheostat
F-300012UG	F-300024UG		Black	UltraGard®	Rheostat
F-310012	F-310024	F-310036	Aluminum	Chrome	None
F-300412	F-300424		Black	Black	Rheostat
TWO-SPEED FAN OPTIONS					
F-320012	F-320024	320036*	Aluminum	Chrome	Toggle
F-320012UG	F-320024-UG	F-320036UG*	Aluminum	UltraGard®	Toggle
F-4670176	F-4670177	F-4670179*	Black	Black	Toggle
F-4670176UG	F-4670177-UG	F-4670179UG*	Black	UltraGard®	Toggle
F-4670176MS	F-4670177MS	F-4670179MS*	Black	Black	None



* 48V option also available

Other options available. Please see page 17 and contact MARADYNE®.

4000 Series – Heavy Duty Ventilation/Defrost Fans

FEATURES

- Heavy Duty Die Cast Base or Stamped Metal
- Square Four-Hole Mount
- Adjustable Tension Swivel
- Two-Speed Wound Field Motor
- Mounting Hardware & Gasket

CFM High: 270
CFM Low: 220

OPTIONS

- Volts:** 12V or 24V
Base: Zinc Plated
Guard: Black or Chrome
Blade: Aluminum or Black
Switch: Three-Position Toggle or None
Box Qty.: 6

Amps High: 2.7
Amps Low: 1.6

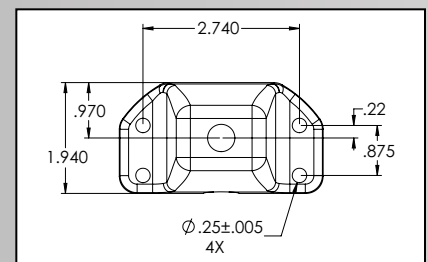


NEW ADJUSTABLE TENSION SWIVEL DESIGN



Part # F-400312

OPTIONS					
12V PART #	24V PART #	BLADE	GUARD	BASE	SWITCH
F-400312	F-400324	Aluminum	Chrome	Zinc	None
F-404412	F-404424	Black	Black	Black	None
F-404512	F-404524	Aluminum	Black	Black	None
F-420312	F-420324	Aluminum	Chrome	Zinc	Toggle
F-424412	F-424424	Black	Black	Black	Toggle
F-424512	F-424524	Aluminum	Black	Black	Toggle



Other options available. Please see page 17 and contact MARADYNE®.

MARADYNE® Mobile Products

4540 W. 160th Street • Cleveland, OH 44135 • Ph: (216) 265-8006 • Fax: (216) 362-6342 • www.maradynemobile.com

DASH MOUNT FANS



5000 Series – Heavy Duty Ventilation/Defrost Fans



Part # F-500612

FEATURES

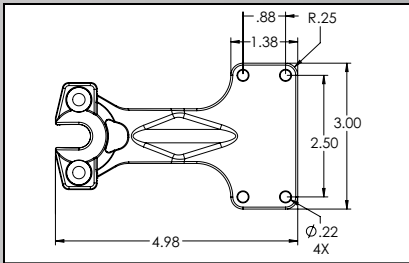
- Heavy Duty Die Cast Base
- Flat Four-Hole Mount
- Adjustable Tension Swivel
- Two-Speed Permanent Magnet Motor
- Mounting Hardware & Gasket

OPTIONS

- Volts:** 12V or 24V
- Base:** Black or Zinc Plated
- Guard:** Chrome
- Blade:** Aluminum
- Switch:** None
- Box Qty.:** 6



NEW ADJUSTABLE TENSION SWIVEL DESIGN



OPTIONS					
12V PART #	24V PART #	BLADE	GUARD	BASE	SWITCH
F-500112	F-500124	Aluminum	Chrome	Metal	None

Other options available. Please see page 17 and contact MARADYNE®.

6000 Series – Heavy Duty Ventilation/Defrost Fans



Part # F-600112

FEATURES

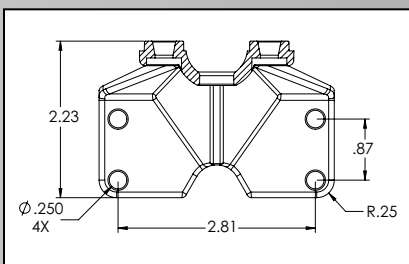
- Heavy Duty Die Cast Base
- Flat Four-Hole Mount
- Adjustable Tension Swivel
- Two-Speed Permanent Magnet Motor
- Mounting Hardware & Gasket

OPTIONS

- Volts:** 12V or 24V
- Base:** Zinc Plated
- Guard:** Chrome
- Blade:** Aluminum
- Switch:** None
- Box Qty.:** 6



NEW ADJUSTABLE TENSION SWIVEL DESIGN



OPTIONS				
12V PART #	24V PART #	BLADE	GUARD	SWITCH
F-600112	F-600124	Aluminum	Chrome	None

Other options available. Please see page 17 and contact MARADYNE®.

DASH MOUNT FANS



7000 Series – Heavy Duty Ventilation/Defrost Fans

FEATURES

- Heavy Duty Die Cast Base
- Square Four-Hole Mount
- Adjustable Tension Swivel
- Two-Speed Permanent Magnet Motor
- Mounting Hardware & Gasket

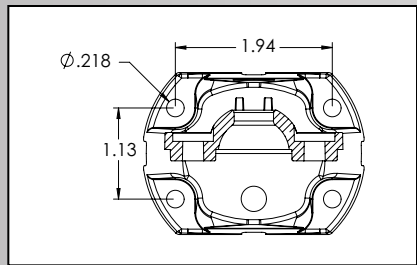
OPTIONS

- Volts:** 12V or 24V
Base: Black or Zinc Plated
Guard: Black, Chrome or Plastic
Blade: Aluminum
Switch: None
Box Qty.: 6



NEW ADJUSTABLE TENSION SWIVEL DESIGN Part # F-700112

OPTIONS					
12V PART #	24V PART #	BLADE	GUARD	BASE	SWITCH
F-700112	F-700124	Aluminum	Chrome	Metal	None



Other options available. Please see page 17 and contact MARADYNE®.

8000 Series – Heavy Duty Ventilation/Defrost Fans

FEATURES

- Heavy Duty Die Cast Base
- Flat Four-Hole Mount
- Adjustable Tension Swivel
- One or Two-Speed Wound Field Motor
- Mounting Hardware & Gasket

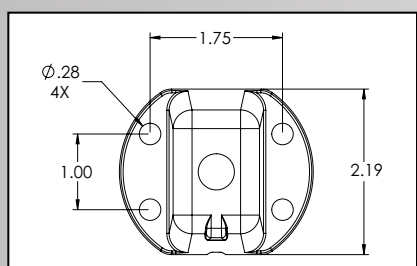
OPTIONS

- Volts:** 12V or 24V
Base: Black
Guard: Black
Blade: Aluminum
Switch: Rheostat, Three-Position Toggle or None
Box Qty.: 6



NEW ADJUSTABLE TENSION SWIVEL DESIGN Part # F-804412

OPTIONS				
12V PART #	24V PART #	BLADE	GUARD	SWITCH
F-804412	F-804424	Black	Black	None
F-824412	F-824424	Black	Black	Toggle



Other options available. Please see page 17 and contact MARADYNE®.

DASH MOUNT FANS



9000 Series – Heavy Duty Ventilation/Defrost Fans

NEW!



Part # F-924512

FEATURES

- Heavy Duty Die Cast Base
- Round Three-Hole Mount
- Adjustable Position Swivel
- Two-Speed Wound Field Motor
- Mounting Hardware & Gasket (included)



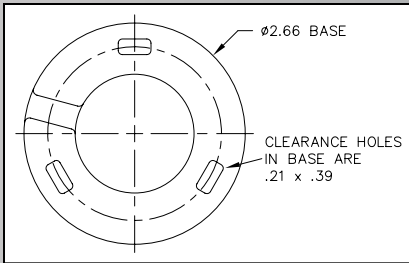
ADJUSTABLE TENSION SWIVEL DESIGN

CFM High: 270
CFM Low: 220

OPTIONS

- Volts:** 12V or 24V
Base: Black or Chrome
Guard: Black, Chrome, Plastic or UltraGard®
Blade: Aluminum or Black
Switch: Three-Position Toggle or None
Box Qty.: 6

Amps High: 2.7
Amps Low: 1.6



OPTIONS				
12V PART #	24V PART #	BLADE	GUARD	SWITCH
F-924512	F924524	Aluminum	Black	None

Other options available. Please see page 17 and contact MARADYNE®.

667 Series – Heavy Duty Ventilation/Defrost Fans



Part # F-6670020

FEATURES

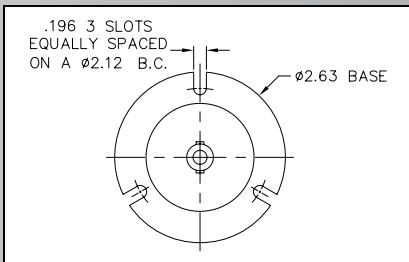
- Cold Roll Zinc Plated Steel
- Bracket Style Three-Hole Mount
- Adjustable Position Swivel
- Two-Speed Wound Field Motor
- Mounting Hardware (included)

CFM High: 270
CFM Low: 220

OPTIONS

- Volts:** 12V or 24V
Base: Zinc Plated
Guard: Chrome
Blade: Aluminum
Switch: Three-Position Toggle on Bracket or Remote
Box Qty.: 6

Amps High: 2.7
Amps Low: 1.6



OPTIONS				
12V PART #	24V PART #	BLADE	GUARD	SWITCH
F-6670020	F-6670022	Aluminum	Chrome	Toggle
F-6670021		Aluminum	Chrome	Remote

Other options available. Please see page 17 and contact MARADYNE®.

DASH MOUNT FANS



Soft Blade Series – Heavy Duty Ventilation/Defrost Fans

FEATURES

- Heavy Duty Die Cast Base
- Oval Two-Hole Mount
- Adjustable Position Swivel
- Individually Boxed
- One or Two-Speed Permanent Magnet Motor
- Mounting Hardware & Gasket

CFM High: 165

OPTIONS

- Volts:** 12V or 24V
- Base:** Black
- Guard:** Plastic or None
- Blade:** Rubber
- Switch:** Rocker or None
- Box Qty.:** 6

Amps High: 0.7



Part # TAS000013

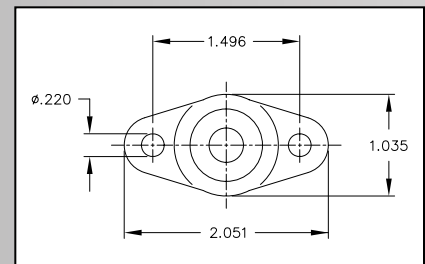


Part # TAS000009

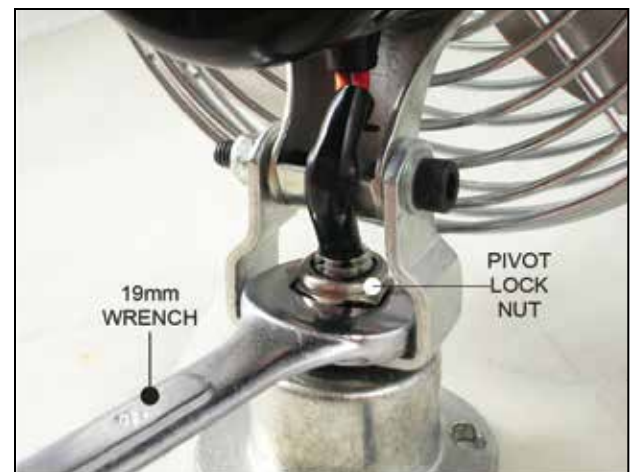
Special Order Only – Minimum Quantities Apply
No Service Parts Available for this Model

OPTIONS

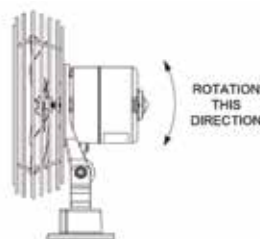
12V PART #	24V PART #	BLADE	GUARD	SWITCH	SPEEDS
TAS000009	TBS000009	Rubber	None	Rocker	One
TAS000010	TBS000010	Rubber	None	None	One
TAS000011	TBS000011	Rubber	None	Rocker	Two
TAS000012	TBS000012	Rubber	None	None	Two
TAS000013	TBS000013	Rubber	Plastic	Rocker	One
TAS000014	TBS000014	Rubber	Plastic	None	One
TAS000015	TBS000015	Rubber	Plastic	Rocker	Two
TAS000016	TBS000016	Rubber	Plastic	None	Two



Tension Adjustments For 4000, 7000 & 8000 Series Dash Fans

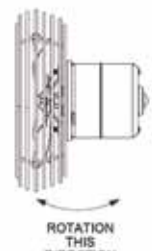


TO ADJUST U CHANNEL TENSION, LOOSEN OR TIGHTEN THE SOCKET HEAD SCREW AND LOCK NUT USING A 10mm WRENCH AND 5mm ALLEN WRENCH AS SHOWN. DO NOT OVERTIGHTEN TO PREVENT DAMAGING THE NUT.



Side View

TO ADJUST BASE SWIVEL TENSION, LOOSEN OR TIGHTEN THE PIVOT LOCK NUT USING A 19mm WRENCH AS SHOWN. DO NOT OVERTIGHTEN TO PREVENT DAMAGING THE NUT.



Top View

MARADYNE® Mobile Products

4540 W. 160th Street • Cleveland, OH 44135 • Ph: (216) 265-8006 • Fax: (216) 362-6342 • www.maradynemobile.com

DASH MOUNT FANS



BASE OPTIONS



M-53011

2000 Series
(Chrome or Black)



M-53010

3000 Series
(Black Only)



M-53009
M-53009B

4000 Series
(Chrome or Black)



M-53012

5000 Series
(Metal Only)



M-53013

6000 Series
(Metal Only)



M-53014

7000 Series
(Metal Only)



M-53017B

8000 Series
(Black Only)



TA8001126

9000 Series
(Short Round Base)

GUARD OPTIONS



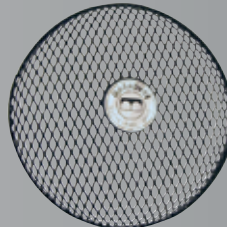
M-53098

Black



M-53097

Chrome



TA8000258

UltraGard®
2000 & 3000 Series Only



TA8000881

Plastic w/Aluminum Blade
2000, 3000, 4000, 8000 & 9000 Series Only



TA8000885

Plastic w/Black Blade
2000, 3000, 4000, 8000 & 9000 Series Only

SWITCH OPTIONS



M-53099-G1

Toggle



M-53025

Rheostat

BLADE OPTIONS



M-53030

Aluminum 6.5" CCW



M-53031

Black 6.5" CCW



M-53032

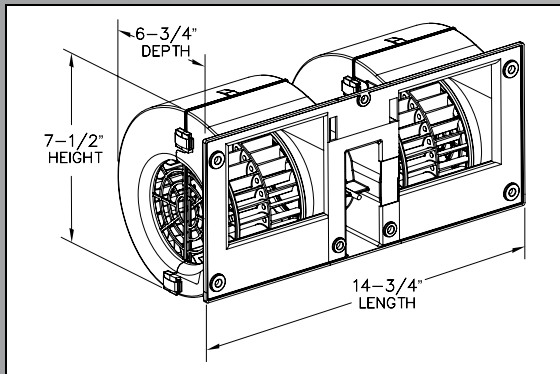
Aluminum 6.5" CW

Call for Details.

CENTRIFUGAL BLOWERS



UNIVERSAL BLOWER



7 1/2" H x 14 3/4" L x 6 3/4" D

MAGNUM II

FEATURES

- High Performance Air Movement
- Dual Scroll
- Capable of Pressurizing the Largest of Vehicle Cabs
- Heavy Duty Permanent Magnet Motor

OPTIONS

- No Resistor
- Four-Speed Motor Mount Resistor (P/N TA0040002)
- Wire Harness Options Available Upon Request (Special Order Based on Quantity)



TA0040002
4-Speed Resistor

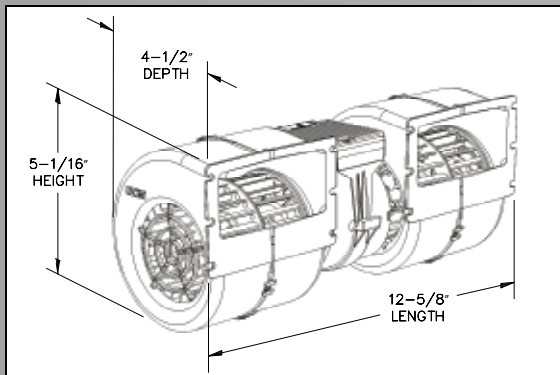


Optional Wire Harness

SPECIFICATIONS

PART #	AIR FLOW	POWER REQUIREMENTS	CASE MATERIAL	WHEEL MATERIAL
TA0040001	825 CFM	28.1 Amps @ 13.5V	Glass-Filled Nylon	Glass-Filled Nylon
TA0040002	825 CFM	28.1 Amps @ 13.5V	Glass-Filled Nylon	Glass-Filled Nylon

UNIVERSAL BLOWER



5 1/16" H x 12 5/8" L x 4 1/2" D

Model # BH1008

FEATURES

- High Performance Air Movement
- Dual Scroll
- Heavy-Duty Long Life Permanent Magnet Motor

OPTIONS

- No Resistor
- Four-Speed Motor Mount Resistor
- Three-Speed Side Mount Resistor



BH1008-7
Motor Mount Resistor



BH1008-11
Side Mount Resistor

SPECIFICATIONS

PART #	AIR FLOW	POWER REQUIREMENTS	CASE MATERIAL	WHEEL MATERIAL
BH1008-3	400 CFM	13.5 Amps @ 13.5V	Glass-Filled Nylon	Glass-Filled Nylon
BH1008-7	400 CFM	13.5 Amps @ 13.5V	Glass-Filled Nylon	Glass-Filled Nylon
BH1008-11	400 CFM	13.5 Amps @ 13.5V	Glass-Filled Nylon	Glass-Filled Nylon

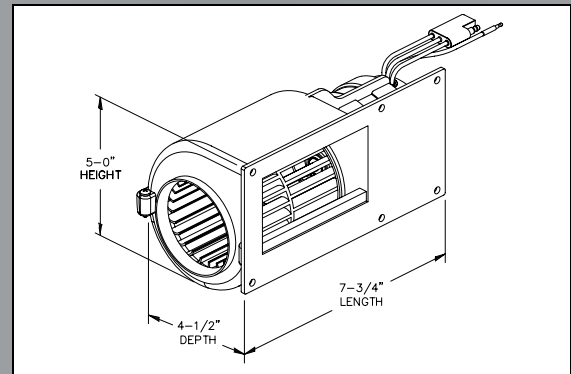
UNIVERSAL BLOWER

**Model # TEC2009
(BH7800)**



FEATURES

- High Performance Air Movement
- Single Scroll
- Three-Speed, Heavy-Duty Wound Field Motor
- Replacement Blower for 9" Stoker™ Heaters



5" H x 7³/₄" L x 4¹/₂" D

SPECIFICATIONS

PART #	AIR FLOW	POWER REQUIREMENTS	CASE MATERIAL	WHEEL MATERIAL
TA1160004	225 CFM	10.8 Amps @ 13.5V	Glass-Filled Nylon	Glass-Filled Nylon
TB1160003	225 CFM	5.2 Amps @ 27.5V	Glass-Filled Nylon	Glass-Filled Nylon

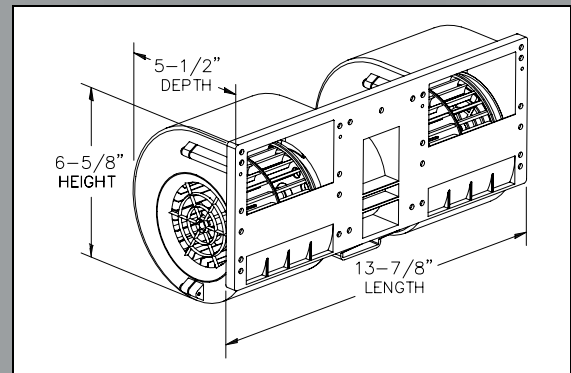
UNIVERSAL BLOWER

**Model # BH1400
(TEC2006)**



FEATURES

- High Performance Air Movement
- Dual Scroll
- Heavy-Duty Long Life Permanent Magnet Motor
- Four-Speed Motor Mount Resistor



6⁵/₈" H x 13⁷/₈" L x 5¹/₂" D

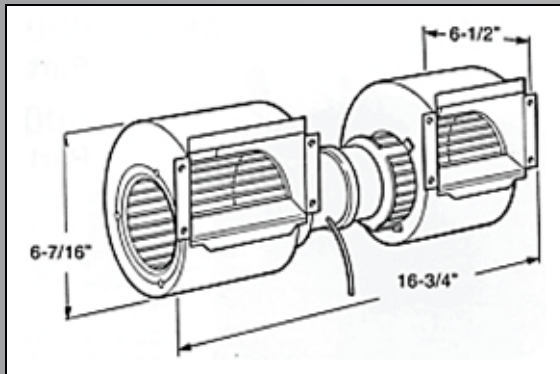
SPECIFICATIONS

PART #	AIR FLOW	POWER REQUIREMENTS	CASE MATERIAL	WHEEL MATERIAL
BH1400-88-01	675 CFM	31.5 Amps @ 13.5V	Glass-Filled Nylon	Glass-Filled PP

CENTRIFUGAL BLOWERS



UNIVERSAL BLOWER



6⁷/₁₆" H x 16³/₄" L x 6¹/₂" D

Model # 700BX



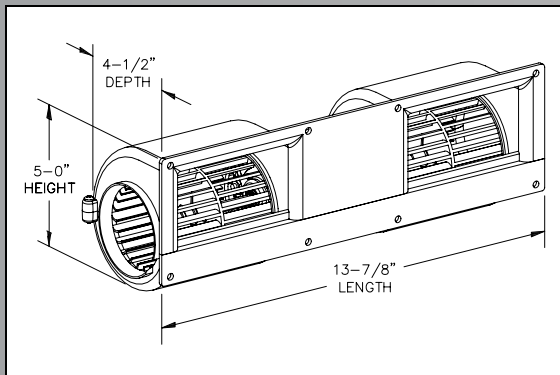
FEATURES

- High Performance Air Movement
- Dual Scroll
- Capable of Pressurizing the Largest of Vehicle Cabs
- Heavy Duty Permanent Magnet Motor w/Three-Speed Resistor

SPECIFICATIONS

PART #	AIR FLOW	POWER REQUIREMENTS	CASE MATERIAL	WHEEL MATERIAL
H-6670017	700 CFM	16 Amps @ 13.5V	20 Gauge Steel	Plastic
H-6670018	700 CFM	8 Amps @ 27.5V	20 Gauge Steel	Plastic

UNIVERSAL BLOWER



5" H x 13⁷/₈" L x 4¹/₂" D

Model # TEC2005 (BH1300)



FEATURES

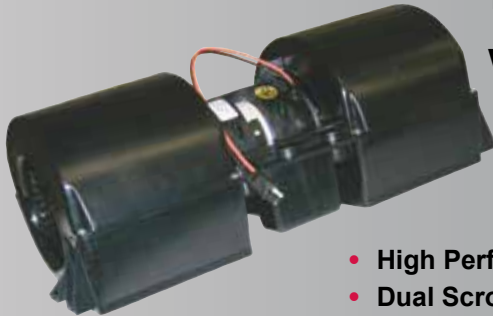
- High Performance Air Movement
- Dual Scroll
- Three-Speed, Heavy-Duty Wound Field Motor
- Replacement Blower for 16" Stoker™ Heaters

SPECIFICATIONS

PART #	AIR FLOW	POWER REQUIREMENTS	CASE MATERIAL	WHEEL MATERIAL
TA1000011	380 CFM	12.8 Amps @ 13.5V	Glass-Filled Nylon	Glass-Filled Nylon
TB1000007	380 CFM	6.4 Amps @ 27.5V	Glass-Filled Nylon	Glass-Filled Nylon

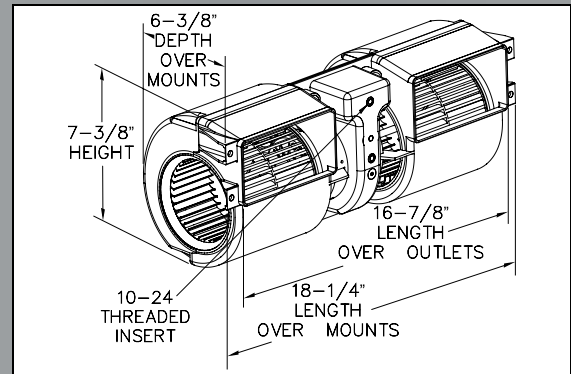
UNIVERSAL BLOWER

**Model # BH1600
without Resistor
(TEC2007)**



FEATURES

- High Performance Air Movement
- Dual Scroll
- Heavy-Duty Long Life Permanent Magnet Motor
- Supplied with 10-24 Mounting Clips (4) and Insert



$7\frac{3}{8}''$ H x $16\frac{7}{8}''$ L x $6\frac{3}{8}''$ D

SPECIFICATIONS

PART #	AIR FLOW	POWER REQUIREMENTS	CASE MATERIAL	WHEEL MATERIAL
BH1600-50-03	400 CFM	14.5 Amps @ 13.5V	Glass-Filled Nylon	Glass-Filled Nylon

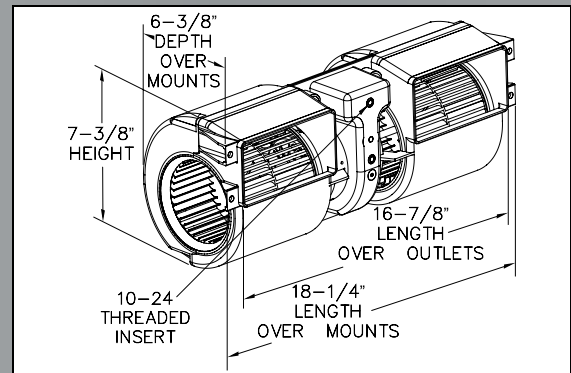
UNIVERSAL BLOWER

**Model # BH1600 with
4-Speed Resistor
(TEC2007)**



FEATURES

- High Performance Air Movement
- Dual Scroll
- Heavy-Duty Long Life Permanent Magnet Motor
- Supplied with 10-24 Mounting Clips (4) and Insert



$7\frac{3}{8}''$ H x $16\frac{7}{8}''$ L x $6\frac{3}{8}''$ D

SPECIFICATIONS

PART #	AIR FLOW	POWER REQUIREMENTS	CASE MATERIAL	WHEEL MATERIAL
BH1600-50-02	400 CFM	14.5 Amps @ 13.5V	Glass-Filled Nylon	Glass-Filled Nylon

PART # INDEX



PART #	MODEL #/DESCRIPTION	PAGE #	PART #	MODEL #/DESCRIPTION	PAGE #
307-HS	2.5" x 2.3" Air/Temp Switch Plate	13	H-650012/H-650024	12V/24V Pueblo Wall Mount Heater	9
1340-1	4" x 1.5" Air/Temp Switch Plate	13	H-6670004/H-6670005	12V/24V Baja Heater	8
1660-1	2" x 4" Air Switch Plate	13	H-6670006/H-6670007	12V/24V Monterrey Heater	8
1661	Water Hose Protector	13	H-6670017/H-6670018	700BX - 12V/24V Universal Blower	27
1663	5/8" & 3/4" x 5" "Y" Water Hose Connector	13	H-803012/H-803024	12V/24V Phoenix Wall/Floor Mount Heater	7
1705-1	1.5" Diameter Rear Unit Switch Plate	13	H-900012/H-900024/H-900036	12V/24V/36V Monterrey Heater	9
1706-HS	1.5" Diameter Rear Unit Switch Plate	13	M-53009/M-53009B	4000 Series Dash Fan Base (Chrome or Black)	24
1845-HS	2.2" x 2.7" Air/Temp Switch Plate	13	M-53010	3000 Series Dash Fan Base (Black Only)	24
1892	2.5" "Y" Connector	13	M-53011	2000 Series Dash Fan Base (Chrome or Black)	24
1906	5/8" & 3/4" x 4" "Y" Water Hose Connector	13	M-53012/M-53012B	5000 Series Dash Fan Base (Chrome or Black)	24
2059	5/8" & 3/4" x 3.5" "Y" Water Hose Splice	13	M-53013	6000 Series Dash Fan Base (Metal Only)	24
2063	21.6" x 2" Defrost Chute Deflector	15	M-53014/M-53014B	7000 Series Dash Fan Base (Metal or Black)	24
2223	2.75" x 12" Air Return Grill	16	M-53017B	8000 Series Dash Fan Base (Black Only)	24
2226	5.5" x 12" Air Return Grill	16	M-53025	Rheostat Switch	24
2241	5" x 6" Air Return Grill	16	M-53030	Aluminum 6.5" CCW Blade	24
2453	7" x 1.5" Defrost Chute Grill	15	M-53031	Black 6.5" CCW Blade	24
2454	7.25" x 1" Defrost Chute w/2.5" Hose End	15	M-53032	Aluminum 6.5" CW Blade	24
2454-1	7.25" x 1" Defrost Chute w/2" Hose End	15	M-53097	Chrome Dash Fan Guard	24
2505	4" Dome Louver w/2.5" Hose Adapter	15	M-53098	Black Dash Fan Guard	24
BH1008-3	BH1008 - 12V Blower w/o Resistor	25	M-53099-G1	Toggle Switch	24
BH1008-7	BH1008 - 12V Blower w/4-Speed Resistor	25	MFA126	Defrost Kit (Tucson & Phoenix Heaters)	15
BH1008-11	BH1008 - 12V Blower w/3-Speed Resistor	25	MFA127	Louver Kit (Tucson & Phoenix Heaters)	15
BH1400-20	BH1400 - 12V Blower w/4-Speed Resistor	26	MFA128	Defrost Kit (Stoker Heaters)	15
BH1600-50-03	BH1600 - 12V Blower w/o Resistor	28	MFA129	Engine Plumbing Kit	14
BH1600-50-02	BH1600 - 12V Blower w/4-Speed Resistor	28	MFA130	Louver Kit (Stoker Heaters)	15
F-100012	12V 1000 Series Dash Fan	18	MJJ150	Portable Air Pump	17
F-200112/F-200124	12V/24V 2000 Series Dash Fan	18	MM-A1090001/MM-B1090001	12V/24V 9" "Stoker" w/Two - 3" Outlets	10
F-200112MS/F-200124MS	12V/24V 2000 Series Dash Fan	18	MM-A1090002/MM-B1090002	12V/24V 9" "Stoker" w/Two - 3" Outlets	10
F-200112UG/F-200124UG	12V/24V 2000 Series Dash Fan	18	MM-A1090004/MM-B1090004	12V/24V 9" "Stoker" w/Grill Face	10
F-200412/F-200424	12V/24V 2000 Series Dash Fan	18	MM-A1090005/MM-B1090005	12V/24V 9" "Stoker" w/Grill Face	10
F-200512/F-200524	12V/24V 2000 Series Dash Fan	18	MM-A1090006	12V 9" "Stoker" w/Three - 2" Outlets	11
F-300012/F-300024/F-300036	12V/24V/36V 3000 Series Dash Fan (1-Speed)	19	MM-A1160001/MM-B1160001	12V/24V 16" "Stoker" w/Three - 3" Outlets	12
F-300012UG/F-300024UG/F-300036UG	12V/24V/36V 3000 Series Dash Fan (2-Speed)	19	MM-A1160002/MM-B1160002	12V/24V 16" "Stoker" w/Four - 3" Outlets	12
F-300012UG/F-300024UG	12V/24V 3000 Series Dash Fan (1-Speed)	19	MM-A1160003/MM-B1160003	12V/24V 16" "Stoker" w/Grill Face	11
F-300412/F-300424	12V/24V 3000 Series Dash Fan (1-Speed)	19	MM-A1160004/MM-B1160004	12V/24V 16" "Stoker" w/Grill Face	11
F-310012/F-310024/F-310036	12V/24V/36V 3000 Series Dash Fan (1-Speed)	19	MM-A1160005/MM-B1160005	12V/24V 16" "Stoker" w/Three - 3" Outlets	12
F-320012/F-320024/F-320036	12V/24V/36V 3000 Series Dash Fan (2-Speed)	19	MM-A1160006/MM-B1160006	12V/24V 16" "Stoker" w/Four - 3" Outlets	12
F-400312/F-400324	12V/24V 4000 Series Dash Fan	19	MP109K	10" 90W Electric Fan	17
F-400412/F-400424	12V/24V 4000 Series Dash Fan	19	MP119K	11" 90W Electric Fan	17
F-400512/F-400524	12V/24V 4000 Series Dash Fan	19	MP136K	13" 160W Electric Fan	17
F-420312/F-420324	12V/24V 4000 Series Dash Fan	19	MP162K	16" 225W Electric Fan	17
F-420412/F-420424	12V/24V 4000 Series Dash Fan	19	MP166K	16" 160W Electric Fan	17
F-420512/F-420524	12V/24V 4000 Series Dash Fan	19	TA004001	Magnum II - 12V Blower w/o Resistor	25
F-4670176/F-4670177/F-4670179	12V/24V/36V 3000 Series Dash Fan (2-Speed)	19	TA004002	Magnum II - 12V Blower w/4-Speed Resistor	25
F-4670176MS/F-4670177MS/F-4670179MS	12V/24V/36V 3000 Series Dash Fan (2-Speed)	19	TA1000011/TB0000007	TEC2009 - 12V/24V Universal Blower	27
F-4670176UG/F-4670177UG/F-4670179UG	12V/24V/36V 3000 Series Dash Fan (2-Speed)	19	TA1160004/TB1160003	TEC2009 - 12V/24V Universal Blower	26
F-500112/F-500124	12V/24V 5000 Series Dash Fan	20	TA7000039	3.75" - 4 Terminal Resistor	14
F-500612/F-500624	12V/24V 5000 Series Dash Fan	20	TA7000040	5.5" - 4 Terminal Resistor	14
F-600112/F-600124	12V/24V 6000 Series Dash Fan	20	TA7000078	Switch Kit	16
F-6670020/F-6670022	12V/24V 667 Series Dash Fan	22	TA8000258	UltraGard® Dash Fan Guard	17
F-6670021	12V 667 Series Dash Fan	22	TA8000448	3" "Y" Connector	13
F-700112/F-700124	12V/24V 7000 Series Dash Fan	21	TA8000466	Heater Plumbing Kit	14
F-700512/F-700524	12V/24V 7000 Series Dash Fan	21	TA8000492	Heater Hose 25'	14
F-703012/F-703024	12V/24V 7000 Series Dash Fan	21	TA8000505	Ø4" x 10.45" Heater Tube w/Grill Face	16
F-800412/F-800424	12V/24V 8000 Series Dash Fan (2-Speed)	21	TA8000506	Ø4" x 10.45" Heater Tube w/Adjustable Louver	16
F-820412/F-820424	12V/24V 8000 Series Dash Fan (2 Speed)	21	TA8000689	Engine Plumbing Kit	14
F-830412/F-830424	12V/24V 8000 Series Dash Fan (1-Speed)	21	TA8000881	Plastic Dash Fan Guard w/Aluminum Blade	24
F-924512	12V 9000 Series Dash Fan	22	TA8000885	Plastic Dash Fan Guard w/Black Blade	24
H-400012/H-400024	12V/24V Santa Fe Floor Mount Heater	4	TA8001126	9000 Series Dash Fan Base (Short Round Base)	24
H-410112/H-410124	12V/24V Yuma Driver Side Bus Heater	4	TA8001492	Ø4" x 10.45" Heater Tube w/Triple Vane Louver	16
H-410212/H-410224	12V/24V Mesa Floor Mount Heater	5	TAS000009/TBS000009	12V/24V Soft Blade Series Dash Fan	23
H-410312/H-410324	12V/24V Mesa Wall Mount Heater	5	TAS000010/TBS000010	12V/24V Soft Blade Series Dash Fan	23
H-503012/H-503024	12V/24V Tucson Wall/Floor Mount Heater	6	TAS000011/TBS000011	12V/24V Soft Blade Series Dash Fan	23
H-511012R/H-511024R	12V/24V Tucson II Wall/Floor Mount Heater	6	TAS000012/TBS000012	12V/24V Soft Blade Series Dash Fan	23
H-5670004	Switch Kit w/Wire Harness (3-Speed Motor)	16	TAS000013/TBS000013	12V/24V Soft Blade Series Dash Fan	23
H-5670014	Switch Kit	16	TAS000014/TBS000014	12V/24V Soft Blade Series Dash Fan	23
H-603012/H-603024	12V/24V Daytona Wall Mount Heater	7	TAS000015/TBS000015	12V/24V Soft Blade Series Dash Fan	23
H-64006	KT-12 Heater Plumbing Kit	14	TAS000016/TBS000016	12V/24V Soft Blade Series Dash Fan	23

SERVICE PARTS



MOTORS

PART #	DESCRIPTION	WHERE USED
D-001-621	12V Motor, 3 Speed, CCW (621)	H-6670004 / H-6670006
D-001-622	24V Motor, 3 Speed, CCW (622)	H-6670005 / H-6670007
D-001-484A	12V Motor, 1 Speed, CCW-Fan (484A)	H-600012 / H-610012
D-001-484-R	12V Motor, w/Rev Studs-Heater (484A-R/S)	H-500012 / H-5100125
D-001-485C	24V Motor, 1 Speed, CCW-Fan (485C)	H-600024
D-001-485C-R	24V Motor, w/Rev Studs-Heater (485C-R/S)	H-500024
D-001-498A	36V Motor, 1 Speed, CCW-Fan (486A)	H-900036
D-001-498D	12V Motor, 2 Speed, CCW (498D)	Replacement
D-001-631	24V Motor, 2 Speed, CCW (631)	Replacement
D-001-503A	12V Motor, 1 Speed, CCW (503A)	H-650012 / H-800012 / H-900012
D-001-504A	24V Motor, 1 Speed, CCW (504A)	H-650024 / H-800024 / H-900024
D-001-719	12V Motor, 1 Speed, Double Shaft, CCW (719)	Replacement
D-001-720	24V Motor, 1 Speed, Double Shaft, CCW (720)	Replacement
D-001-903	24V Motor, BB Double Shaft, CW (903)	H-6670018
D-001-902	12V Motor, BB Double Shaft, CW (902)	H-6670017
TA1160007	Blower Assembly	
D-001C-561	12V Motor	F-3000 Series / H-511012 / H-511012R / H-900412 / H-900612
D-001C-626-1	24V Motor	F-3000 Series / H-511024 / H-511024R / H-900424 / H-900624
D-001C-561R	12V Motor, 2 Speed, CCW	HC-400012
D-001C-561R-24	24V Motor, 2 Speed, CCW	HC-400024
TA07R2007	6.5", 90 Watt, PUSHER fan	HC-410212 / HC-410312
D-001C-685RS	12V Motor, 3 Speed, CCW	H-503012
D-001C-685RS-24	24V Motor, 3 Speed, CCW	H-503024
D-001C-686	12V Motor, 3 Speed, CCW	HC-503012 / H-803012
D-001C-686-24	24V Motor, 3 Speed, CCW	HC-503024 / H-803024
D-001C-686-1	12V Motor, 2 Speed, CCW	HC-511012 / HC-511012R
D-001C-686-1-24	24V Motor, 2 Speed, CCW	HC-511024 / HC-511024R
D-001C-685	12V Motor, 3 Speed, CCW	H-603012
D-001C-685-24	24V Motor, 3 Speed, CCW	H-603024

SWITCHES & KNOBS

PART #	DESCRIPTION	WHERE USED
M-53025	Rheostat Fan Switch	F-3000 Series
M-53057	3 Speed Resistor Switch & Bracket	H-500012 / H-800012
M-53057-HV	3 Speed Resistor Switch & Bracket	H-500024 / H-800024
M-53058	Standard Fan Assembly Kit	F-3000 Series / H-600012
M-53062	Switch Kit	F-3000 Series / H-600012
M-53099-G1	Mini SPDT Fan Switch w/Plate ECN	F-2000 Series / F-3000 Series
M-61377	Water Valve Cable	Replacement
M-61386	DPDT Toggle Switch	H-9000 Series
M-62321-G1	Blower Switch	H-5670014 Switch Kit / H-5670004 Switch Kit w/Wire Harness
M-64088-G1	Knob	Replacement
TA7000112	2 Position Rocker Switch	HC-400012 / HC-400024
H-5670014	KIT-3 SPD Switch	H-503012 / HC-503012 / H-503024 / HC-503024 / H-803012 / H-803024
M-68086A	3 Position Rocker Switch	HC-511012 / HC-511012R / HC-511024 / HC-511024R
M-53062HV	Heater Bag Assembly Less Mounting Nuts 24/36V	H-600024 / H-603012 / H-603024

COILS

PART #	DESCRIPTION	WHERE USED
M-61315	Tube & Fin Coil	H-5000 Series
M-61316	Ribbon Cell Coil	H-6670006 & H-6670007
M-61380	Tube & Fin Coil	H-9000 Series
M-61515	Tube & Fin Coil	H-6030 (H-6000) Series
M-61522	Tube & Fin Coil	H-6500 Series
M-61819-G1	Ribbon Cell Coil	H-6670004 & H-6670005
M-62015	Tube & Fin Coil	H-8030 (H-8000) Series
TA8000518	Tube & Fin Coil	9" MM-A Series / MM-B Series
TA8000437	Tube & Fin Coil	16" MM-A Series / MM-B Series
TA8000767	Tube & Fin Coil	HC-400012 / HC-400024
TA8000833	Tube & Fin Coil	HC-410212 / HC-410312
TA8000720	Tube & Fin Coil	HC-503012 / HC-503024 / HC-511012 / HC-511012R / HC-511024 / HC-511024R

SERVICE PARTS



FAN GUARDS

PART #	DESCRIPTION	WHERE USED
M-53097	Chrome Fan Guard Assembly	F-2000 Series - F-8000 Series / F-667 Series
M-53098	Black Fan Guard Assembly	F-2000 Series / F-3000 Series / F-7000 Series
M-61530	Fan Guard	H-6030 (H-6000) Series
TA8000258	UltraGard®	F-2000 Series / F-3000 Series
TA8000881	Plastic Fan Guard w/Aluminum Blade	F-2000 Series / F-3000 Series / F-7000 Series
TA8000885	Plastic Fan Guard w/Black Blade	F-2000 Series / F-3000 Series / F-7000 Series

FAN BLADES

PART #	DESCRIPTION	WHERE USED
M-53030	6.5" Fan Blade, CCW, 1/4" Shaft	F-2000 Series / F-3000 Series / F-667 Series
M-53031	6.5" Fan Blade, CCW, 1/4" Shaft	F-2000 Series / F-467 Series
M-53032	6.5" Fan Blade, PV, CW, 1/4" Shaft	H-6500 Series
M-60000-G2	6" Fan Blade, CCW, 1/4" Shaft	H-6670004 / H-6670006
M-60002-G2	6" Fan Blade, CW, 1/4" Shaft	Replacement
M-60590-G3	7" Fan Blade, CCW, 1/4" Shaft	Replacement
M-61319	6" Fan Blade, CW, 1/4" Shaft	H-5000 Series
M-61320	6.5" Fan Blade CW, 1/4" T Shaft	H-6030 (H-6000) Series
M-61385	6" Fan Blade, CCW, 1/4" Shaft	H-9000 Series
M-62020	7" Fan Blade, CW, 1/4" Shaft	Replacement
M-66260-G1	6" Fan Blade, 1/4" Shaft	H-6670005 / H-6670007
M-62951-G1	8" Fan Blade x .312"	Replacement
TA9001515	6.5" CW fan blade	HC-503012 / HC-503024 / HC-511012 / HC-511012R / HC-511024 / HC-511024R

FAN BASES

PART #	DESCRIPTION	WHERE USED
M-53011	Round 3 Hole Mounting Fan Base Assembly	F-2000 Series (Black or Chrome)
M-53010	Square 4 Hole Mounting Fan Base Assembly	F-3000 Series (Black Only)
M-53009B / M-53009	Crescent 4 Hole Mounting Fan Base Assembly	F-4000 Series (Black or Chrome)
M-53012B / M-53012	Flat 4 Hole Mounting Fan Base Assembly	F-5000 Series (Black or Zinc Plated)
M-53013	Flat 4 Hole Mounting Fan Base Assembly	F-6000 Series (Zinc Plated Only)
M-53014B / M-53014	Square 4 Hole Mounting Fan Base Assembly	F-7000 Series (Black or Zinc Plated)
M-53017B	Round 4 Hole Mounting Fan Base Assembly	F-8000 Series (Black Only)

MISCELLANEOUS PARTS

PART #	DESCRIPTION	WHERE USED
1490-M	Blower Wheel (700BX)	H-6670017 & H-6670018
2381-A-19	4" O.D. 3" I.D. Global louver	HC-400012 / HC-400024
M-61287-G2	Gasket	H-6670017 & H-6670018
M-61312	Front Cover 5000 Heater	H-5000 Series
M-61322	Cap Plug Heater	H-5000 / H-8000 Series
M-61381	Cover Assembly	H-9000 Series w/o Studs
M-61382	Casing Assembly	H-9000 Series
M-61580-G1-1	Motor Mtg	Replacement
M-62017	3/8" MPT x 5/8" HB Water Valve Shut Off	H-64006 Heater Plumbing Kit
M-62018	5/8" Water Hose Connector	H-64006 Heater Plumbing Kit
M-62019	1/2" x 3/8" Bushing	H-64006 Heater Plumbing Kit
M-62022	Hose Clamp	H-6500 Series / H-64006 Heater Plumbing Kit
M-63258-G1	Louver	Replacement
M-63487-G1	Wheel Clip	H-6670017 & H-6670018
M-63654-G1	Louver 4" x 4"	Replacement
M-64963-G1	12V Resistor, .48 OHMS	Replacement
M-65066-G1	12V Resistor, .4 & .8 OHMS	Replacement
M-65435-G1	24V Resistor, 2.0/3.8 OHM	Replacement
M-65612-G1	Filter Foam	Replacement
M-66406-G1-1	Housing Right	H-6670017 & H-6670018
M-66584-G2	Resistor Mod 24V	H-6670017
M-66614-G1	Louver 4" Diameter	Replacement



MARADYNE

MOBILE PRODUCTS



HEATERS • BLOWERS • DASH MOUNT FANS • MOTORS • SERVICE PARTS



4540 W. 160th Street • Cleveland, OH 44135 • Ph: (216) 265-8006 • Fax: (216) 362-6343

www.maradynemobile.com